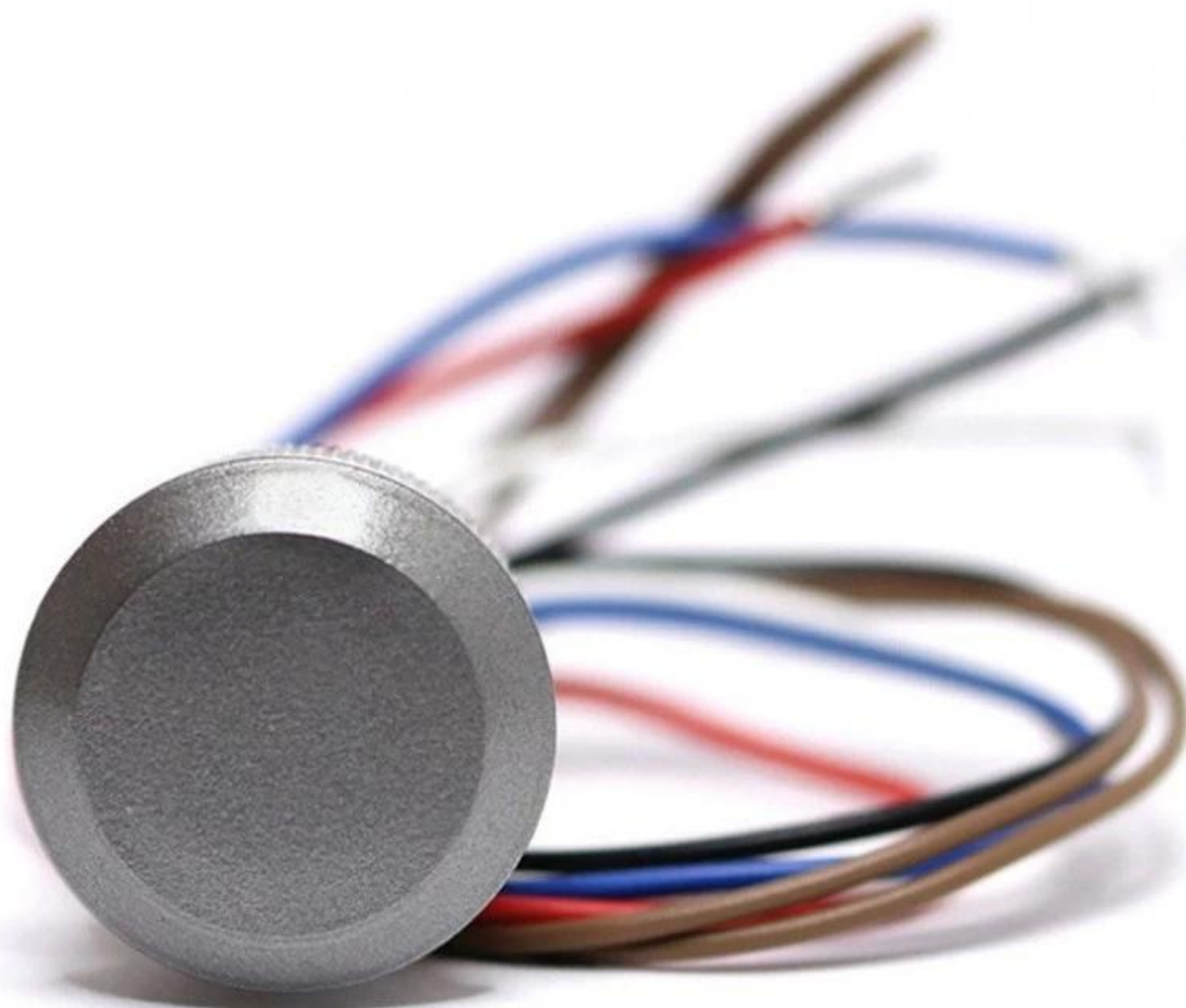


Udohow iButton-EM RFID embedded reader is designed for using in the network and standalone [access control systems](#). iButton-EM embedded reader supports 125KHz keys and connects to the controllers via Wiegand-26/34 protocol.

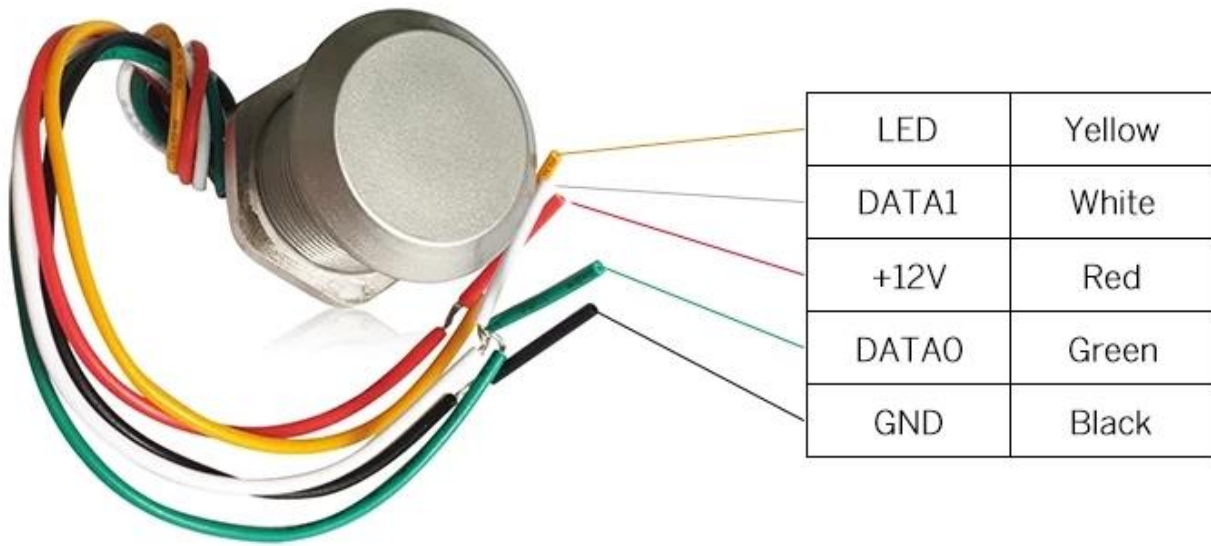


Specifications

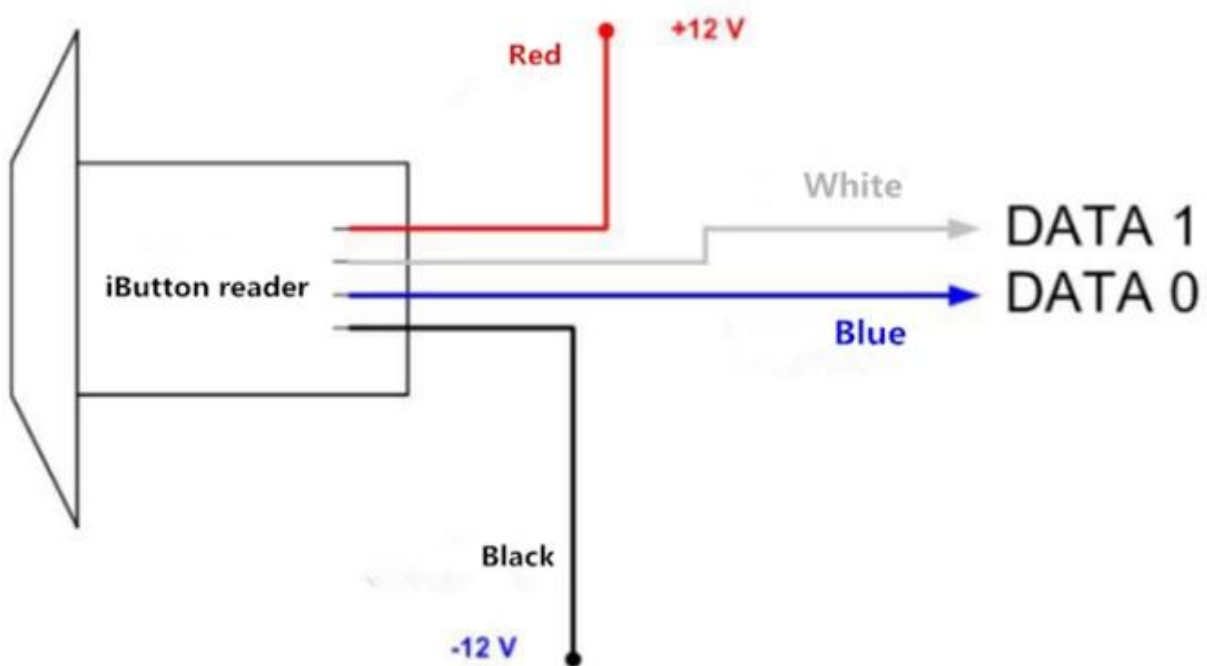
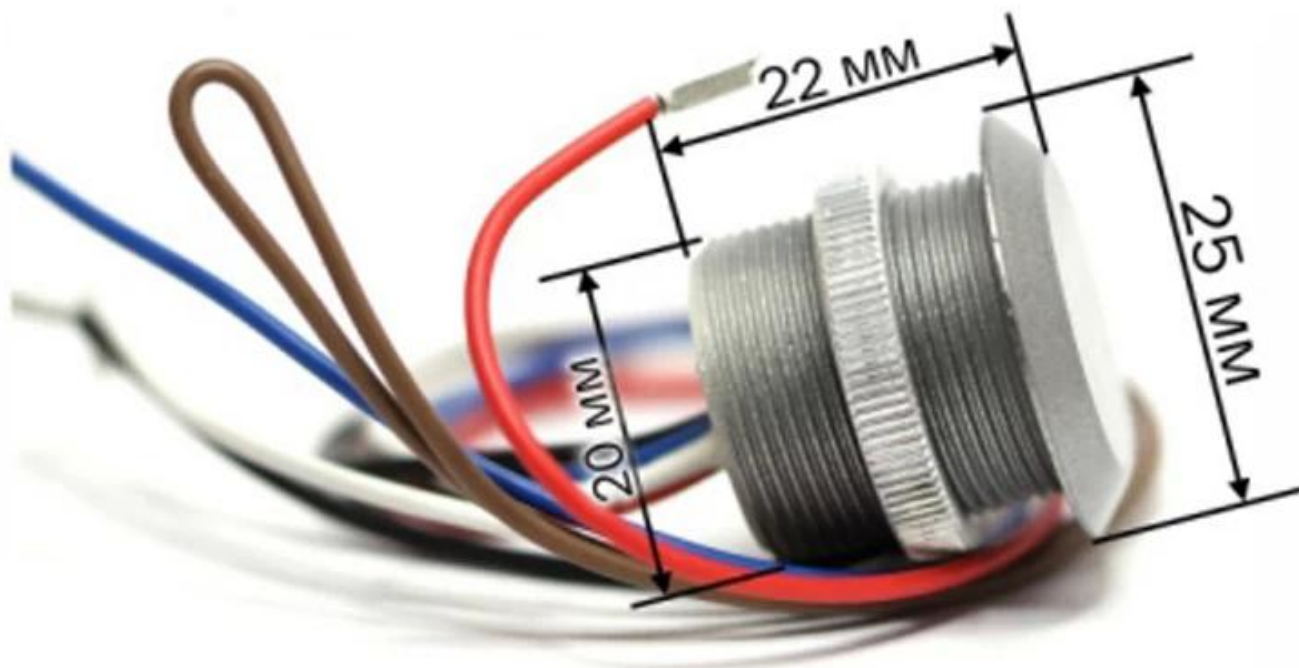
Purpose	iButton reader
Operating frequency	125KHz
Key types	RFID (Proximity)
Reader standard	TK4100
Reader protocol	Wiegand-26, Wiegand-34
RFID reading range (cm)	0-3
Keypad	No
Anti-vandal case	Yes

Waterproof and dustproof case	Yes
Keys copying protection	Yes
Type of copying protection	Iron Logic Protected
Current consumption (mA)	35mA
Visual indication	1 x Red LED
External control of LEDs and buzzer	No
Operating temperature (°C)	-30...+40
Case material	Polyamide
Dimensions (mm)	D45 x 25

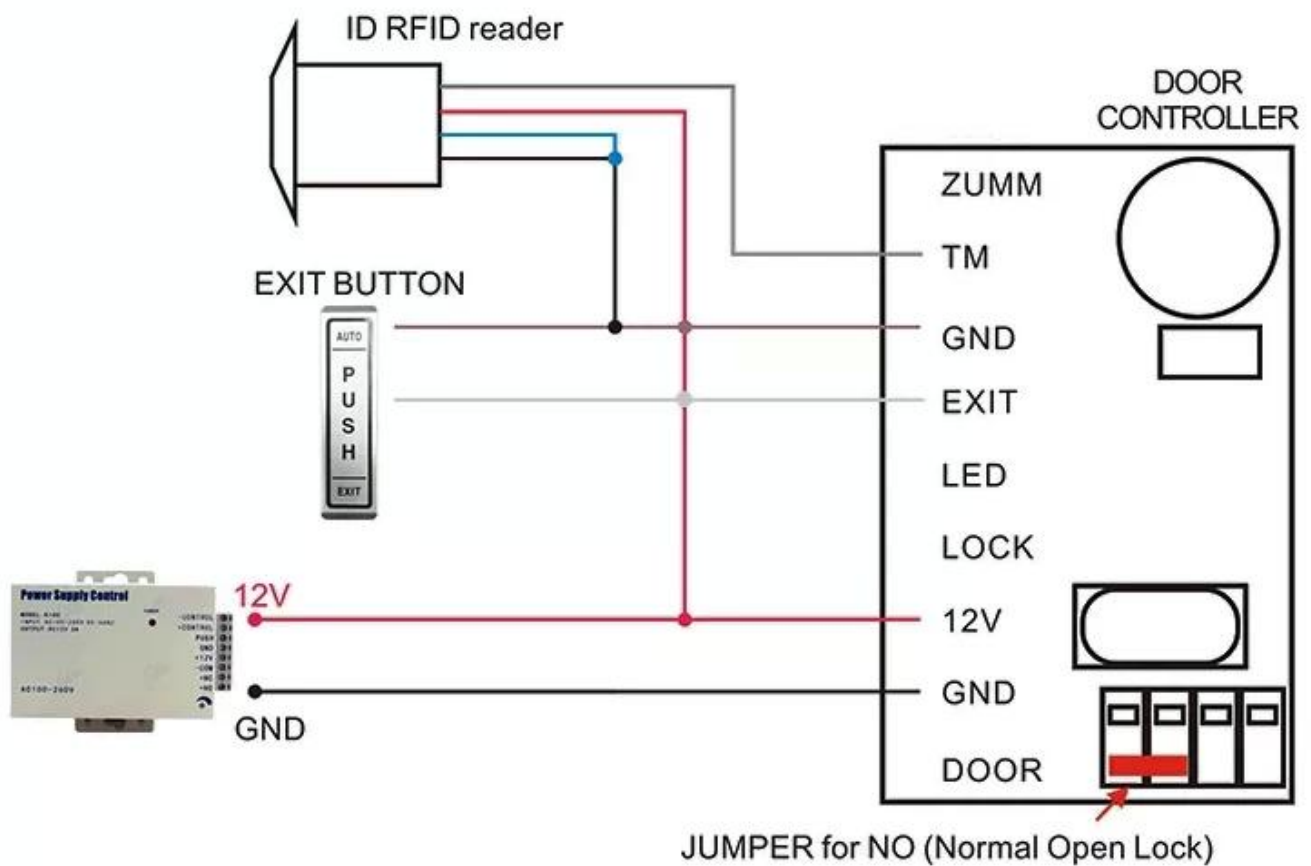




LED	Yellow
DATA1	White
+12V	Red
DATA0	Green
GND	Black



Wiegand 26



Udohow are 20 Years Professional Smart Lock and Security Access products Supplier which main products including Smart Locks, Access Controller, [Electric Locks](#) and related security products.



Sincerely for your service

You are welcome to come to consult

Contact: Yimo Yang

Cellphone/Wechat/Whatsapp: +86 13612936220

Skype: udohow3

Email: udohow1@udohow.com

Web: www.udohow.com

HOME