

Network RFID access control panel for cabinet lock system



Size	228mm×144mm×22 mm
Memory	512K Flash
WG reader	Wiegand reader
Output interface	32 pcs of output can be defined as door sensor or release button
Input interface	32 can be defined as door sensor or release button
Expansion	Support three expansion panel, reaching 128 inputs and outputs.
Communication	TCP/IP
Time zone	16 time zone, support valid data16
Verification	Card, card+PW, double card, PW, first card opening
Door keeping open time	1-65535sec.
Door open overtime	1-255 sec.
Event output	2 interfaces
Alarm event	Door alarm, invalid card, invalid time, door open too long
Alarm time	1-65535 sec. or no limitation
Fire alarm	Can set the first input as fire alarm input
Card capacity	8000
Card events	20000
Alarm logs	10000
Offline	Support
Holiday	Support
Remote operation	Support

Standard TCP/IP communication

Flash chip with huge capacity, 8000 card information, 20000 records,10000 alarm event logs.
32 pcs of input,32 pcs of output.

Each panel can connect 3 expansion panel, realizing as many as 128 inputs, and 128 outputs.

Each input can be defined as door sensor or button input

The first button can be defined as fire alarm input.

Output can be defined as NO or NC.

Door opening time zone can be 16 groups and we can set multi verification methods like card, card+PW, P W, double card, first card opening door.

Support many kinds of alarm event output like invalid card, invalid time, door alarm, door open overtime.

Support remote door open or close.

Support real time.

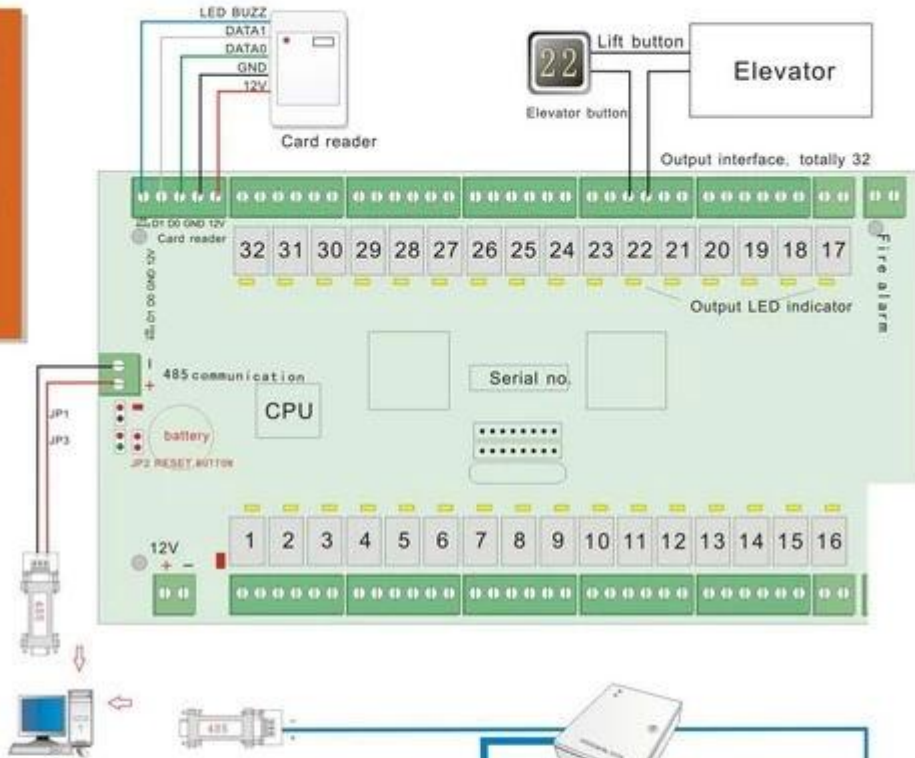
Working with other 485 or TCP/IP controller.



[Power supply box](#)



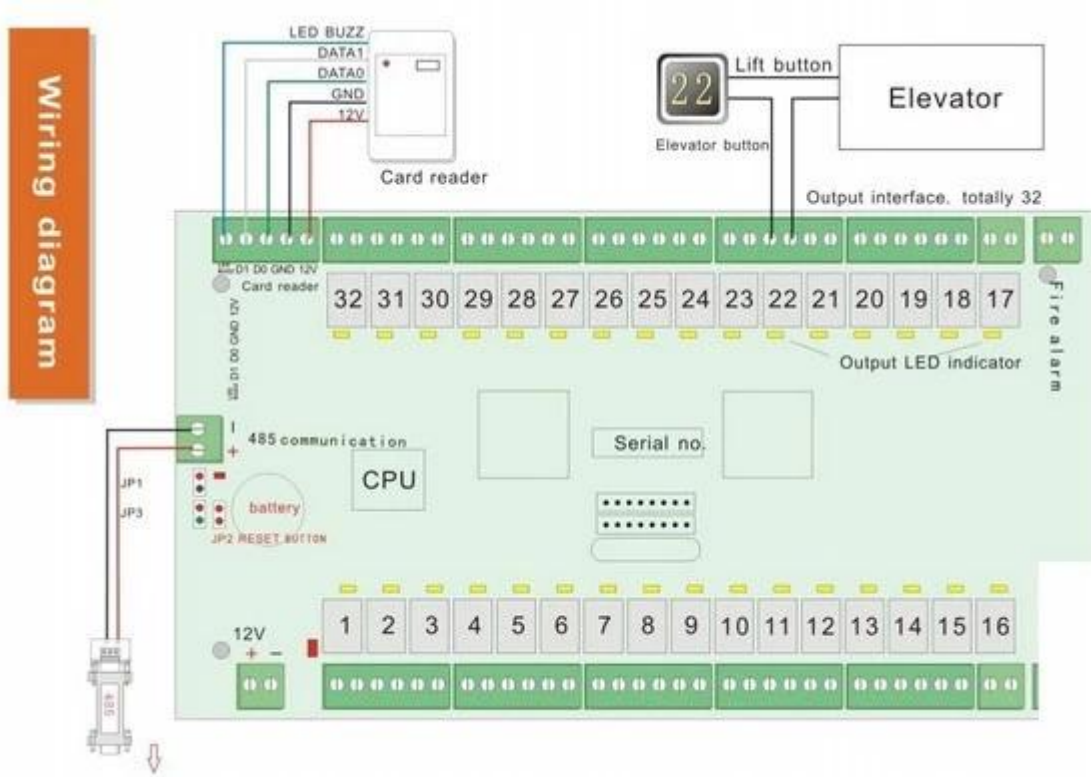
Wiring diagram



Software features

- Support 485 and TCP/IP controllers, all of our access controllers use one software.
- Have all of functions that professional access control software possesses.
- Multi-language is possible. Customer can add new language easily.
- Real-time color show each point's status.
- Support records showing in full screen, and show user photo. And support sound.
- Support two database: MS Access and MS SQL server, MS Access as default.
- Support the authority on access controller, lift controller, locker controller under the same operation.
- Support operations through software.
- Support NO or NC status of random defined outputs.
- Start up software time synchronization, and just click mouse two times to update controllers.





OUR CERTIFICATE



FACTORY / WORKSHOP / EXHIBITION



CONTACT US



Sincerely for your service

You are welcome to come to consult

Contact: Winnie Liang

Cellphone/Wechat/Whatsapp: +86 13602510930

Skype: udohow1

Email: info@udohow.com

Web: www.udohow.com

Click Back Home