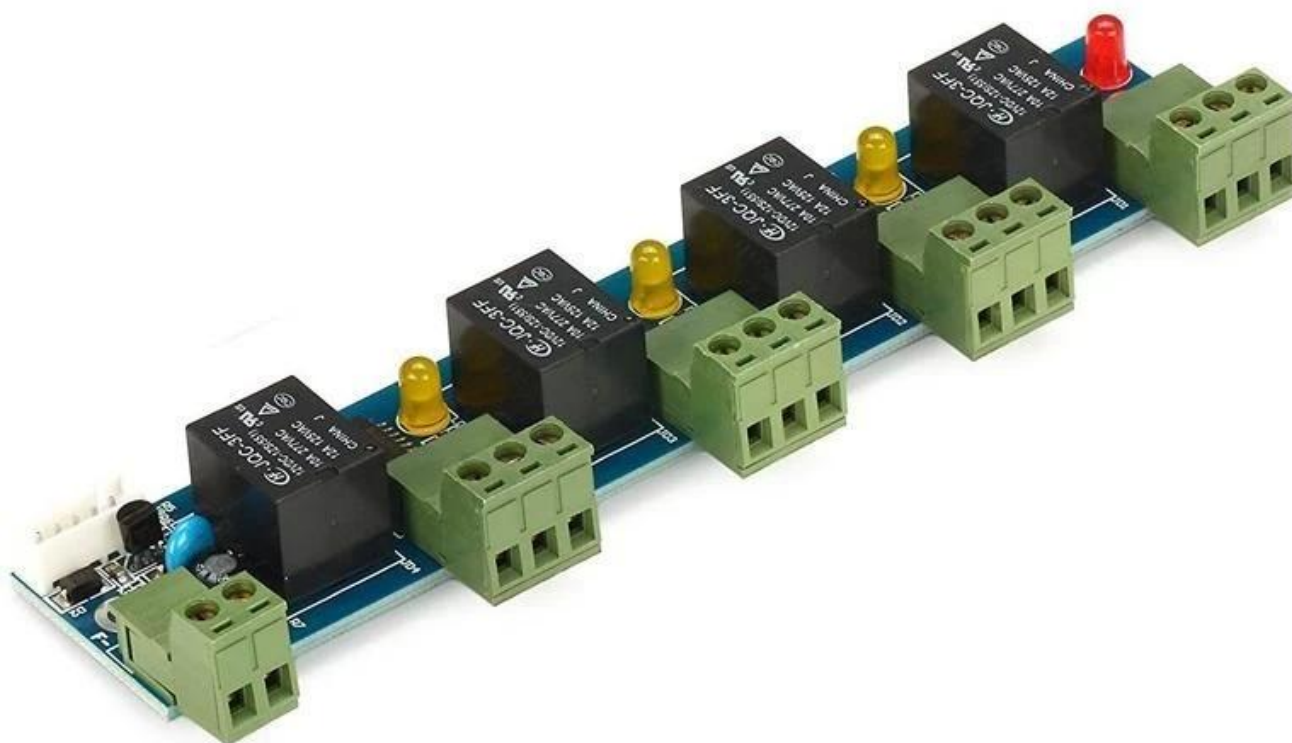


DH-200P Fire alarm output and the expansion of joint board is one of the access controller add-on modules, with the software settings, mainly used to provide fire and alarm signal output of the joint. The module has a practical, simple interface, the design performance characteristics of stability. With its power and relay instructions, may direct communication failures, is a good cost performance of the joint extension.



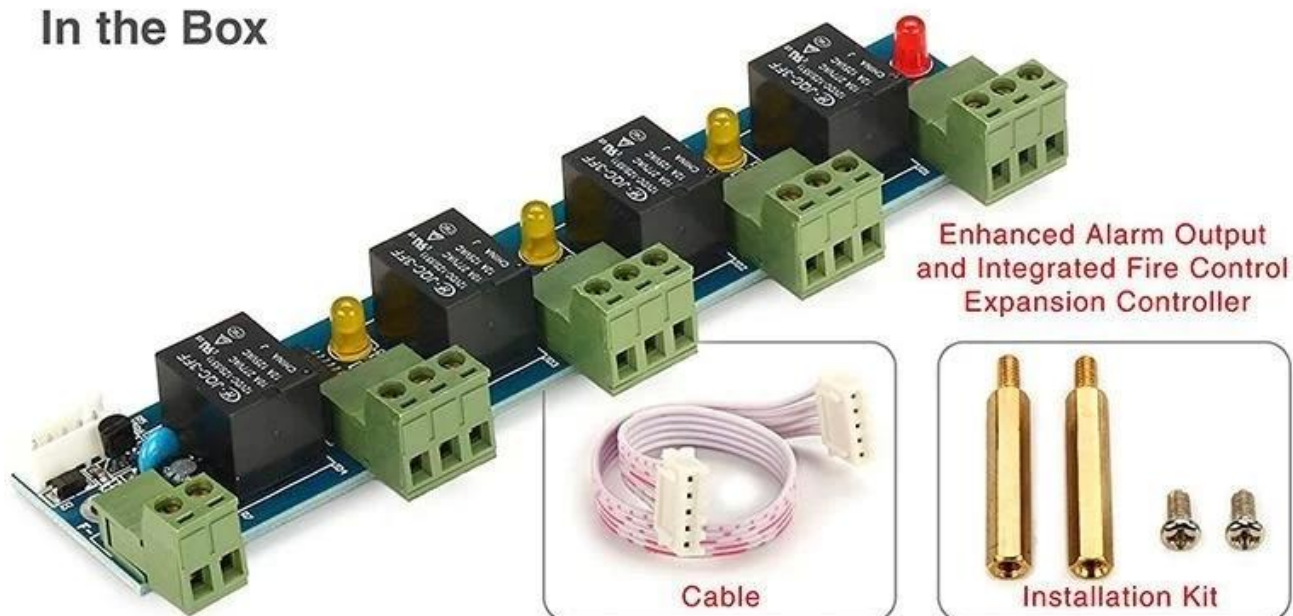
The characteristics of the module

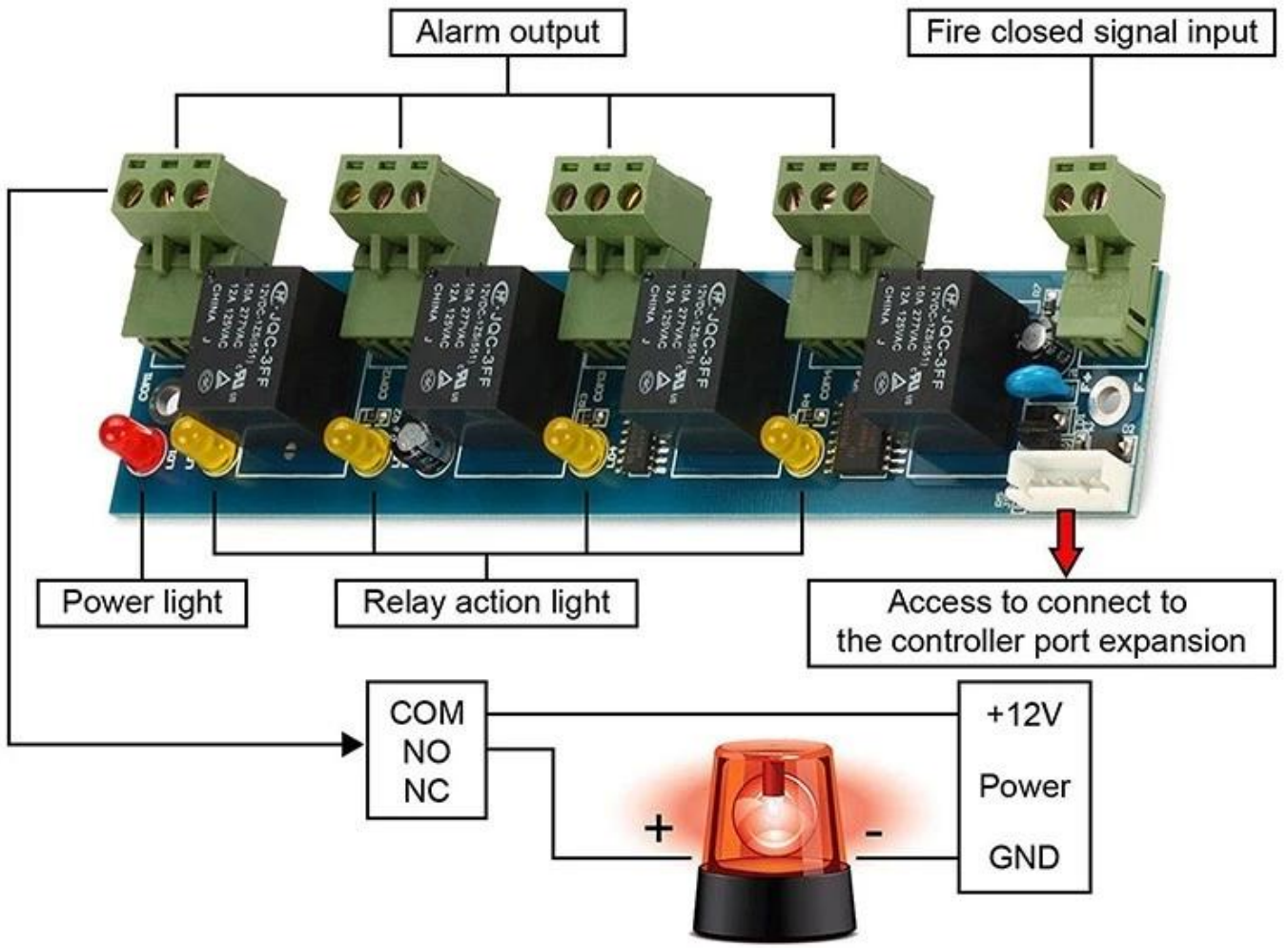
- i. Four-alarm output, free to the host controller to the definition of a door and the door to a number of features.
- ii. Can connect the output signal fire, the Fire received the signal controller automatically open their doors to all and have a fire alarm records available for consultation.

iii. Support for the 'illegal intrusion' and 'the door is not closed for a long time' and 'coercion to enter,' and 'linkage to open the door' and 'invalid card' and 'fire' alarm linkage output, and soon.

iv. Can be set for each output of the delay time 0-6000 seconds.

In the Box









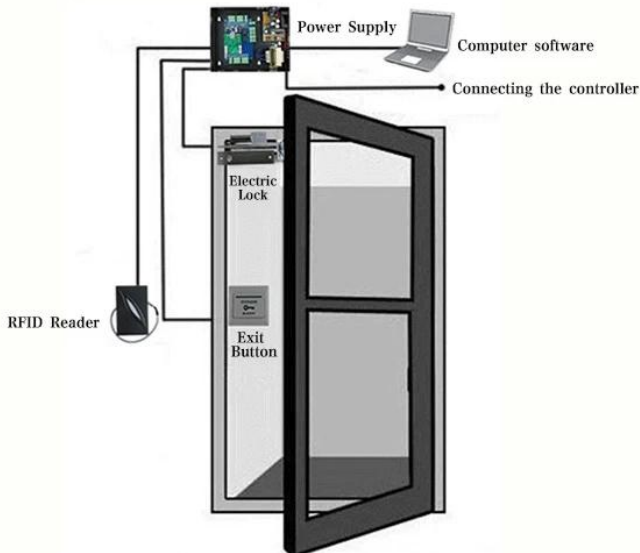




Kindly remind:

All network control board must configure with access power supply.
1 board for 1 power supply

- 
RFID Reader
- 
Exit Button
- 
Electric Lock
- 
Power Supply
- 
Alarm and Fire Control
Expansion Panel
- 
Alarm



Function Introduction	
Applicable to access controller	DH-7001,DH-7002, DH-7004
Can Control	invalid break in alarm, long time unlocking alarm, intimidation break in alarm, unlocking linkage output, invalid card swiping alarm, integrated fire control alarm
Should pay attention to	This enhanced Alarm Output and Integrated Fire Control Expansion Panel only can compat with the ACB series controller, and the software be V6.6 or higher version.
Output and input	1-way input and 4-way alarm output, You can specify which function to which door of the controled area, Can connect the fire control output, when fire signal received, doors in the controlled area will be open automatically, and fire alarm will be recorded.
Other	Allow to change anti-intimidation password
	Can set long time unlocking alarm time: 0-6000 seconds
	Can set the time delay of each output from 0 to 6000