

Instruction:

Mechanical Code Lock is a **digital keypad lock** without battery! It's made of zinc alloy finished with pearl chrome, latest design style! It works well, widely used in various flat door projects!





## Material: Zinc Alloy

The shaft is made of hard steel, it is applicable for different thickness of door after adjusting with spring.

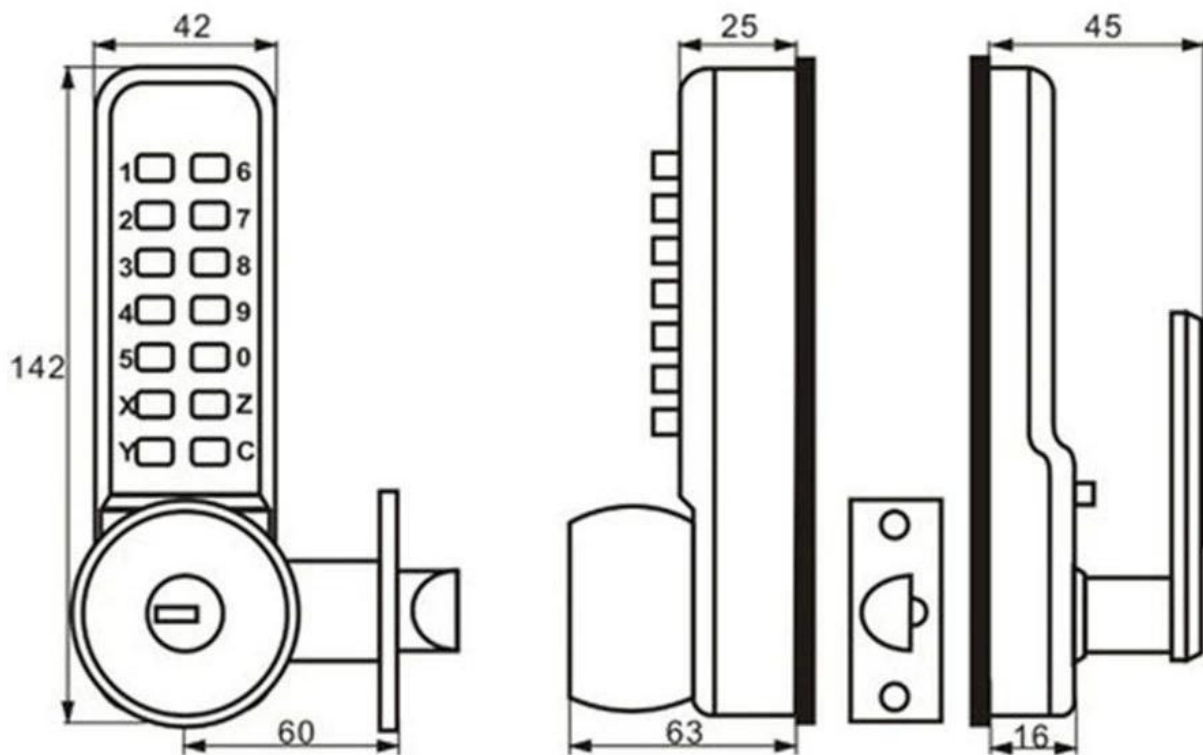


**Keystroke function:** 14 buttons, including 10 number keystroke and 4 letter keystroke. Special key—button “C”, eliminate misinput, easily use.

Numeral key—choose 4-7 buttons to set the password in 13 keystroke except button “C”.

**Change code function:** basic on the customers’ need , one should change password, 7 buttons most one time, but not overlap.

**Security function:** exactitude design, preciseness structure, mechanism motion. with strict trial ,it can still work normally after 50000 times opening, Possess security and secrecy.



Features:

- Stylish, compact design - Keyless, Smart, High Security, Artistic.
- Durable zinc alloy plates and handle; Stainless steel internal fittings

- Easy to operate, needs no key or card, batteries not required.
- Install on right or left edge of the door
- Suitable for offices, classrooms, apartments, etc.
- Suitable for door between 35mm and 60mm thick.