

32 floors 8000users rfid access control panel for elevator



| | |
|------------------------|--|
| Size | 228mm×144mm×22 mm |
| Memory | 512K Flash |
| WG reader | Wiegand reader |
| Output interface | 32 pcs of output can be defined as door sensor or release button |
| Input interface | 32 can be defined as door sensor or release button |
| Expansion | Support three expansion panel, reaching 128 inputs and outputs. |
| Communication | TCP/IP |
| Time zone | 16 time zone, support valid data16 |
| Verification | Card, card+PW, double card, PW, first card opening |
| Door keeping open time | 1-65535sec. |
| Door open overtime | 1-255 sec. |
| Event output | 2 interfaces |
| Alarm event | Door alarm, invalid card, invalid time, door open too long |
| Alarm time | 1-65535 sec. or no limitation |
| Fire alarm | Can set the first input as fire alarm input |
| Card capacity | 8000 |
| Card events | 20000 |
| Alarm logs | 10000 |
| Offline | Support |
| Holiday | Support |
| Remote operation | Support |

Standard TCP/IP communication

Flash chip with huge capacity, 8000 card information, 20000 records,10000 alarm event logs.
32 pcs of input,32 pcs of output.

Each panel can connect 3 expansion panel, realizing as many as 128 inputs, and 128 outputs.

Each input can be defined as door sensor or button input

The first button can be defined as fire alarm input.

Output can be defined as NO or NC.

Door opening time zone can be 16 groups and we can set multi verification methods like card, card+PW, P
W, double card, first card opening door.

Support many kinds of alarm event output like invalid card, invalid time, door alarm, door open overtime.

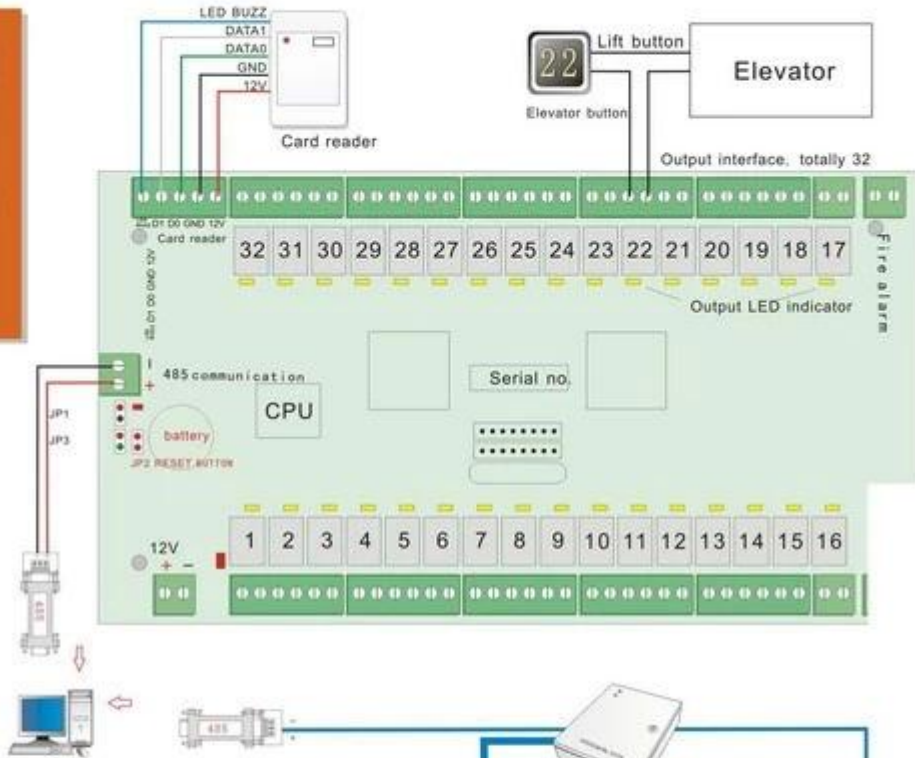
Support remote door open or close.

Support real time.

Working with other 485 or TCP/IP controller.



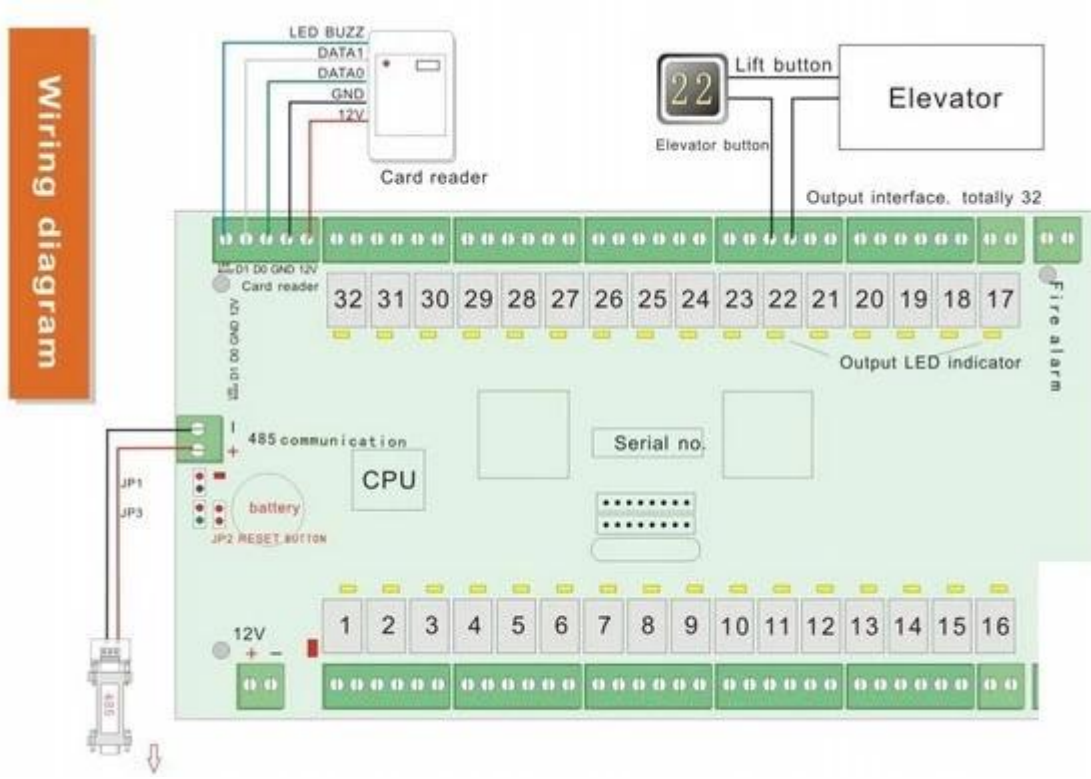
Wiring diagram



Software features

- Support 485 and TCP/IP controllers, all of our access controllers use one software.
- Have all of functions that professional access control software possesses.
- Multi-language is possible. Customer can add new language easily.
- Real-time color show each point's status.
- Support records showing in full screen, and show user photo. And support sound.
- Support two database: MS Access and MS SQL server, MS Access as default.
- Support the authority on access controller, lift controller, locker controller under the same operation.
- Support operations through software.
- Support NO or NC status of random defined outputs.
- Start up software time synchronization, and just click mouse two times to update controllers.





OUR CERTIFICATE



FACTORY / WORKSHOP / EXHIBITION



CONTACT US



Sincerely for your service

You are welcome to come to consult

Contact: Winnie Liang

Cellphone/Wechat/Whatsapp: +86 13602510930

Skype: udohow1

Email: info@udohow.com

Web: www.udohow.com

Click Back Home