

220VAC Access Control Power supply For All Electric Locks

Application:

This Uninterrupted Power Supplies are widely used to Building intercoms and kinds of access controllers, especially for kinds of electric locks and bolts.

Specifications:

Power input: Standard 220VAC

Power output: Standard 12VDC,3A

Control electric locks or bolts directly

Lessen the load of access controller Save project wires

With UPS terminal which can connect with battery

Lower potential trouble

NC/NO output Control all kinds of electric locks

Has delay control circuit

Unlock delay time in 0~10S

Auto protective function

Dimension:215X 170 X75 MM



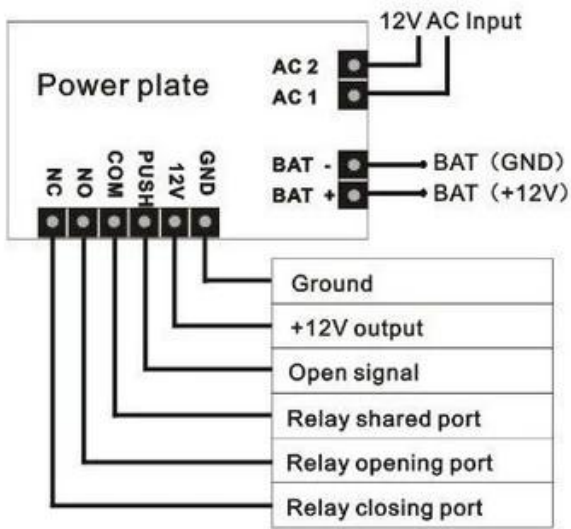


Power Supply

Input: AC 220V/50Hz
Output: DC 12V

The following two conditions:
1. This device may not cause harmful interference
2. This device must accept any interference received

Implicit batteries



Don't implicit batteries

